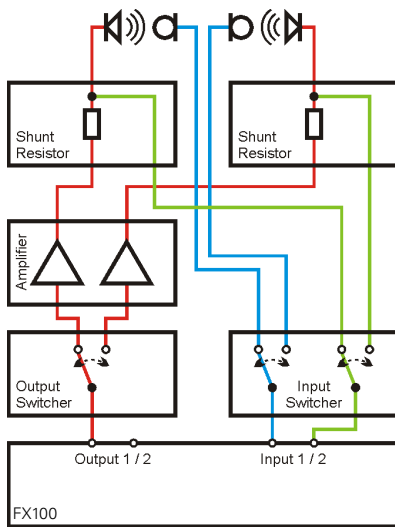
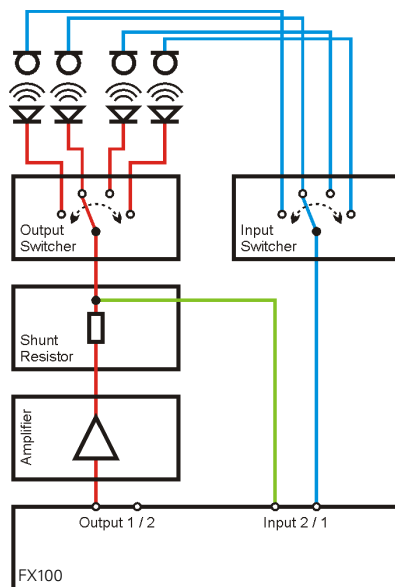


Typical Configurations



Test Configuration for automated sequential testing of two DUT's (acoustical & electrical test)



Test Configuration for automated sequential testing of four DUT's (acoustical test)

Specifications

	Output Switcher OS-0210	Input Switcher IS-1002
Input Channels	2	10
Output Channels	10 (for 1:10 and 2x 1:5 operation)	2 (for 10:1 and 2x 5:1 operation)
Maximum Current	6 A	2 A
Crosstalk @ 20 kHz	-140 dB	-140 dB (Supply 2 V or ICP®: -126 dB)
Microphone Supply	-	48 V phantom power 2 V (optional 5 V) ICP® (Constant Current Supply)
Max. Input Voltage	46.7 Vp	
Maximum Relay Switching Power	Recommended: 5 W Limit = 30 W	
Shunt Capacitance pin 2, 3 -> 1	< 50 pF	
Initial Series Resistance	typical < 0.4 Ohm	
USB Interface	1.1, communication with PC	
RS485 Interface	Daisy chain cascading of up to 80 channels, with 8 switchers controlled by one USB interface RJ11, 4 or 6 pins 1:1 connected	
Mains Power	85...260 VAC, 50 / 60 Hz	
Fuse Rating	1 A / 250 V slow	
Dimensions WxHxD	425 x 44 x 160 mm (19" / 1 rack unit)	
Weight	1.4 kg	
Operating Conditions	0...45°C / 90% R.H.	

High switching power accelerates the relay degradation.
ICP® is a registered trademark of PCB Piezotronics.

All information subject to change without notice. FX100, IS-1002 and OS-0210 are Trademarks of NTi Audio AG.

NTi Audio AG
Im alten Riet 102
9494 Schaan
Liechtenstein, Europe
Phone +423 239 60 60
Fax +423 239 60 89
info@nti-audio.com

NTi Americas Inc.
PO Box 231027
97281 Tigard, Oregon
USA
Phone +1 503 684 7050
Fax +1 503 684 7051
americas@nti-audio.com

NTi China Ltd.
Room 722, 7F, Building 6-3A,
No 1388, Bin He Rd.
215000 Suzhou, China
Phone +86 512 6802 0075
Fax +86 512 6802 0097
china@nti-audio.com

NTi Japan Ltd.
Ryogokusakamoto Bldg. 1-8-4
Ryogoku, 130-0026 Sumida-ku
Tokyo, Japan
Phone +81 3 3634 6110
Fax +81 3 3634 6160
japan@nti-audio.com