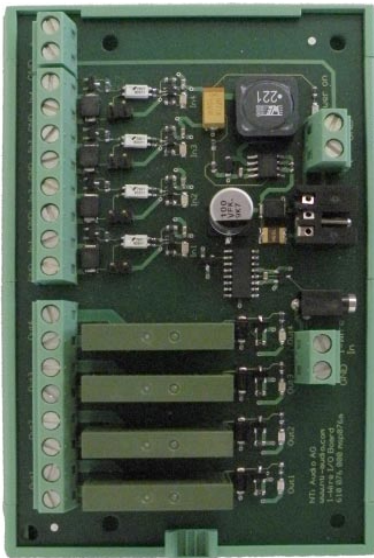


Digital I/O Adapter PCB

for XL2 Audio and Acoustic Analyzer



Top View
Digital I/O Adapter



Side View
Digital I/O Adapter

The XL2 Audio and Acoustic Analyzer together with the Digital I/O Adapter control external peripherals, such as displaying exceeding sound levels on a big red-orange-green lamp. The Digital I/O Adapter connects to the digital I/O interface of the XL2 Analyzer.

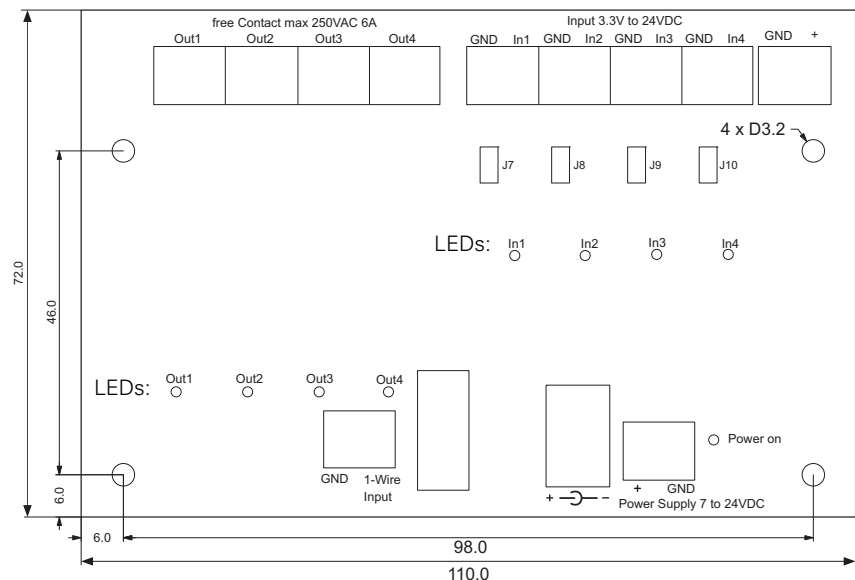
Key Features

- Offers 4 outputs for control of external peripherals
- Switches up to 250 V_{AC} at 6 A
- Controlled by XL2 Audio and Acoustic Analyzer
- Removable top hat rail mounting for flexible installation

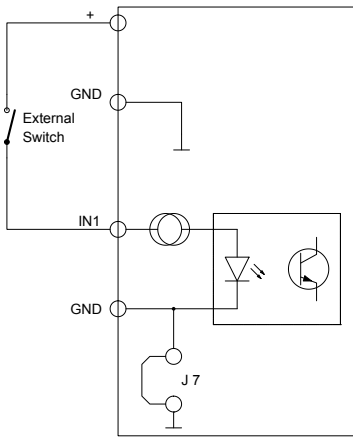
Applications

- Sound level monitoring at live events
- Control of external peripherals based on sound levels

Mechanic Dimensions PCB

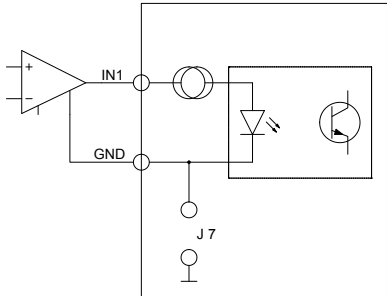


Specifications



Digital I/O Adapter

Connecting a switch to input 1 of the Digital I/O Adapter PCB



Digital I/O Adapter

Connecting an active signal to input 1 of the Digital I/O Adapter PCB

Outputs	<ul style="list-style-type: none"> • 4 individual outputs • Connector type: mounting terminals • Terminals mutually isolated • Relay outputs switching @ <ul style="list-style-type: none"> • resistive load up to 250 V_{AC} / 6 Ampere floating • inductive load up to 250 V_{AC} / 3 A, 24 V_{DC} / 2 A
Inputs	<ul style="list-style-type: none"> • 4 individual inputs • Connector type: mounting terminals • Terminals mutually isolated • Input level 3.3 - 24 V_{DC} / 1.5 mA • Inputs have common ground with external power supply at plugged-in jumpers J7 - J10 • Inputs floating at removed jumpers J7 - J10 • Presently not supported by XL2, prepared for later use
Status Indication Switches	PCB LEDs for output activated, input on
Installation	<p>Only skilled and trained electrical personnel are authorized to carry out installations.</p> <p>Rail mount:</p> <ul style="list-style-type: none"> • Installation on mounting rails type NS 32, NS 35/75 <p>PCB only:</p> <ul style="list-style-type: none"> • Mounting with M3 screws • Use isolating washers for mounting into a metal-housing • Required installation height is 25 mm, 1"
Power Supply	<ul style="list-style-type: none"> • External power supply via terminals to be provided • Power supply range 6 - 24 V_{DC}, 1 W
Dimensions W x H x D	<p>Rail mount: 180 x 77 x 60 mm, 7.09" x 3.03" x 2.36"</p> <p>PCB only: 110 x 72 x 20 mm, 4.33" x 2.83" x 0.79"</p>
Temperature	-10 °C to +50 °C (14° to 122 °F)
Humidity	< 90% RH (non-condensing at 50 °C, 122 °F)
Weight	<p>Rail mount: 127 g, 0.28 lbs</p> <p>PCB only: 73 g, 0.16 lbs</p>
Standards	<p>CE compliant:</p> <ul style="list-style-type: none"> • EN 61326-1 Class B • EN 55011 class B, EN 61000-4-2 to -6 and -11 <p>Safety EN 60 065, EN 61 010-1:2001, class II</p>

All information subject to change without notice.

NTi Audio AG
 Im alten Riet 102
 9494 Schaan
 Liechtenstein, Europe
 Phone +423 239 60 60
 Fax +423 239 60 89
 info@nti-audio.com

NTi Americas Inc.
 PO Box 231027
 Tigard, Oregon 97281
 USA
 Phone +1 503 684 7050
 Fax +1 503 684 7051
 americas@nti-audio.com

NTi China Ltd.
 Room 722, 7F, Building 6-3A,
 No 1388, Bin He Rd.
 215000 Suzhou, China
 Phone: +86 512 6802 0075
 FAX: +86 512 6802 0097
 china@nti-audio.com

NTi Japan Ltd.
 Ryogokusakamoto Bldg. 1-8-4
 Ryogoku, 130-0026 Sumida-ku
 Tokyo, Japan
 Phone +81 3 3634 6110
 Fax +81 3 3634 6160
 japan@nti-audio.com