



RT-IS

Input Switcher



User Manual

V1.1

NTI Headquarters
Im alten Riet 102, 9494 Schaan
Liechtenstein / Europe
Phone: +423 – 239 6060, Fax: +423 – 239 6089
info@nt-instruments.com, www.nt-instruments.com

V 1.1 / June 05 / MBe

1 DESCRIPTION

NTI's RT-IS is an input switcher that comprises four (4) inputs and two (2) outputs. In normal operation, it is used as a two-channel 2:1 matrix. Additionally, the OUT LINK connector allows operating the RT-IS as a single-channel 4:1 matrix. For this purpose, the OUTPUT B (or A) has to be connected externally OUT LINK A (or B).

The internal wiring of the input connectors can be controlled (switch ON/OFF) from a PC via the USB interface. Two DIP-switches define the individual device ID of the RT-IS. Consequently, up to four (4) RT-IS units can be controlled from one PC.

The four LEDs on the front panel indicate the active inputs.

The inputs and output connectors of the RT-IS are of type XLR female / male. Additional GND LIFT switches allow disconnecting the audio ground (Pin 1 of XLR) of the input connectors.

NOTE The RT-IS must only be used as an input switcher, whereby the input current must not exceed 80 mA.

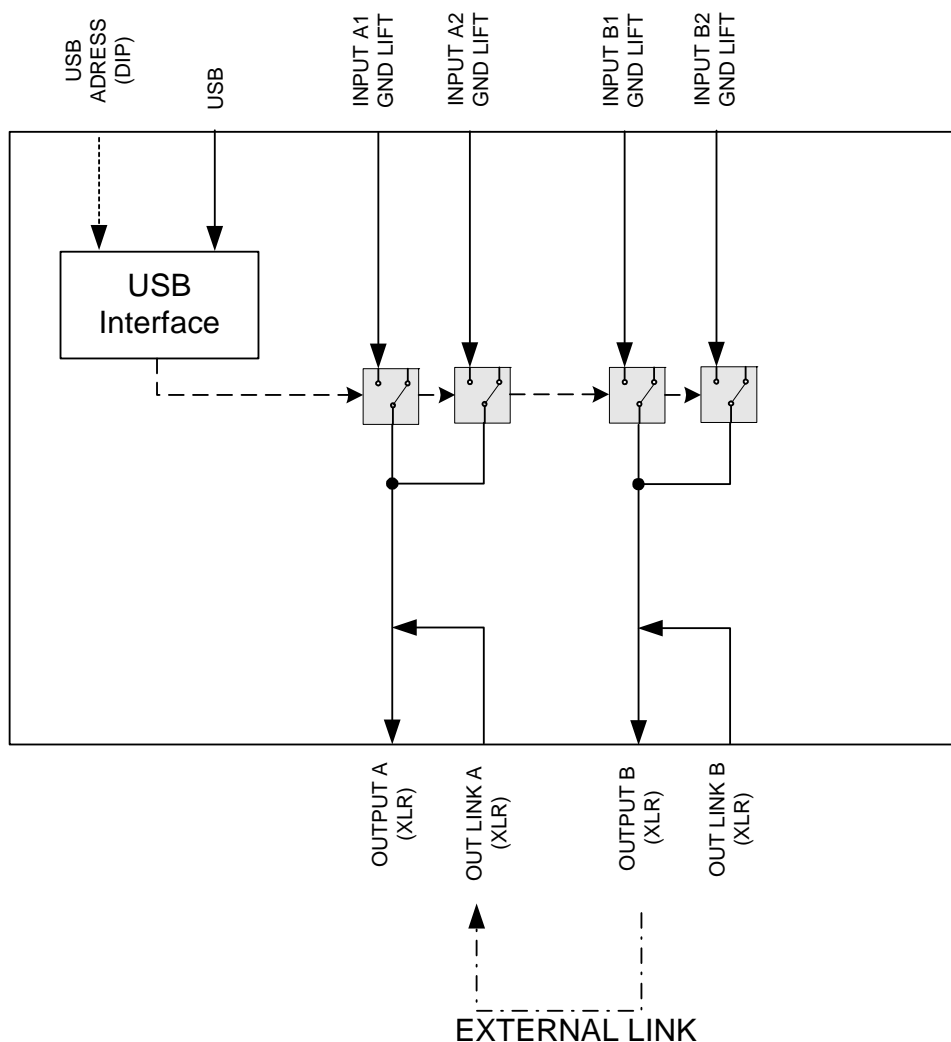


Fig 1 RT-IS block diagram

2 INSTALLATION

2.1 Wiring

RT-IS is used in combination with a suitable PC-software from NTI (i.e. RT-Speaker, RT-ATS or RT-Compliance). The wiring details are shown in the User Manuals of the corresponding packages.

NOTE Operate the RT-IS Input Switcher only under control of a NTI PC-software to avoid damages of peripheral devices or the whole system.

2.2 USB Driver Software

Step 1

Connect the RT-IS via an USB cable to the controller PC. As soon as you do this for the first time, the following message appears:

Select the entry *“Install from a list or specific location ...”* and click in *“Next”*.



Fig 2 Installer screen #1

Step 2

Insert the CD-ROM with the control software to your controller PC.

On the second installation panel, select the entry *“Search for the best driver in these locations”*, tick the box *“Search removable media ...”* and click on *“Next”*.

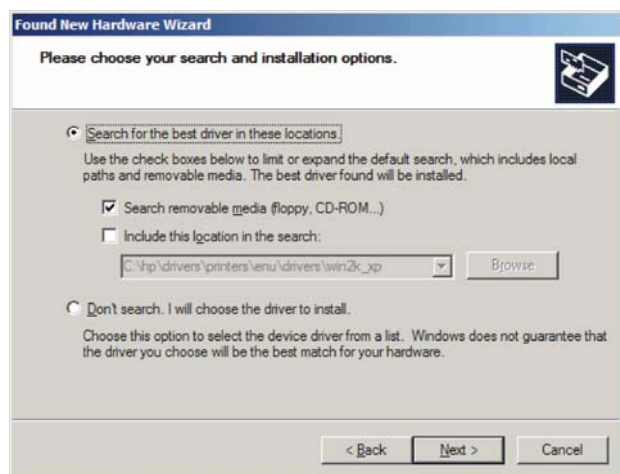


Fig 3 Installer screen #2

Step 3

As soon as the installer has found the USB driver on the CD-ROM, the following message shows up:

Click on “*Next*” to confirm the installation.

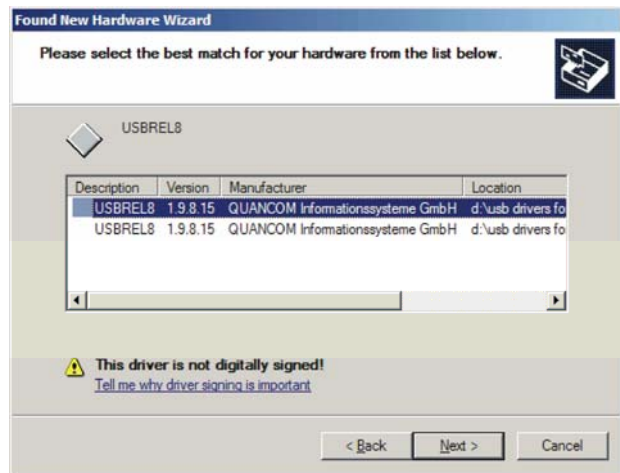


Fig 4 Installer screen #3

Step 4

As soon as the driver has been installed successfully, click on “*Finish*”.



Fig 5 Installer screen #4

2.3 Device Address Selection

The DIP-switch on the RT-IS rear panel defines the individual address of the unit. Since the switch can be adjusted in four different states (“0”, “1”, “2” or “3”), it is possible to connect & control up to four RT-IS units by one PC.

Example

The DIP-switch settings shown in *Fig 6* represent the device address “1” (= 0*2 + 1*1).

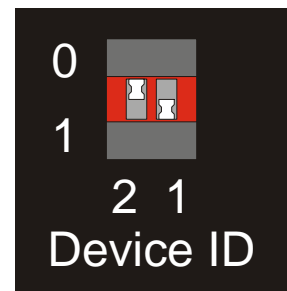


Fig 6 DIP-Switch



3 SPECIFICATIONS

3.1 Accessories

- USB cable (included)
- XLR cable (included)

3.2 Audio Inputs

<i>Connectors:</i>	XLR female
<i>No. of inputs:</i>	4 (each with a ground lift switch)
<i>Max. input voltage:</i>	100 V _{peak}
<i>Max. input current:</i>	80 mA
<i>Bandwidth:</i>	DC to 20 kHz

3.3 Audio Outputs

<i>Connectors:</i>	XLR male (OUTPUT A, B) XLR female (OUT LINK A, B)
<i>No. of outputs:</i>	2+2
<i>Bandwidth:</i>	DC to 20 kHz

3.4 USB Interface

<i>Connector:</i>	USB B type
<i>USB address:</i>	4 addresses (0–3), defined by DIP-switch setting

3.5 General

<i>Switch ON/OFF time:</i>	~1 ms
<i>Temperature, humidity:</i>	0° to 45° C (40 to 110 F) R.H. < 90% non-condensing
<i>Dimensions:</i>	19" rack device, 1 rack unit high