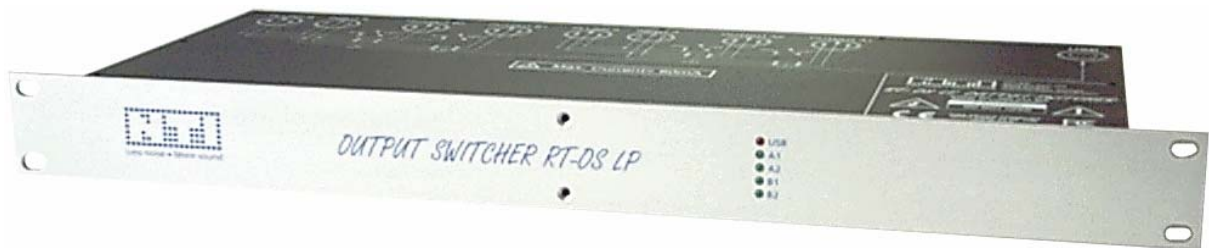


Less noise • More sound

RT-OS LP

Low-Power Output Switcher



User Manual

V1.11

NTI Headquarters
Im alten Riet 102, 9494 Schaan
Liechtenstein / Europe
Phone: +423 – 239 6060, Fax: +423 – 239 6089
info@nti-audio.com, www.nti-audio.com

V 1.11 / Feb 07 / MF

1 DESCRIPTION

NTI's RT-OS LP is a low-power output switcher that is controlled from a PC through an USB link. The switcher comprises two (2) balanced XLR inputs and four (4) XLR outputs that are normally used as a two-channel 1:2 matrix. Alternatively, the RT-OS LP can also be operated as a single-channel 1:4 matrix.

- Device ID: define the individual device ID of the RT-OS LP via the DIP-switch on the rear panel (*chapter 2.3*). Up to four RT-OS LP units can be controlled from one PC.
- 1:4 matrix operation: connect INPUT B (or A) externally to IN LINK A (or B).
- LEDs: the four LEDs on the front panel indicate the active outputs (active ON).
- GND LIFT: these switches allow disconnecting the audio ground (Pin 1 of XLR) of the corresponding output connectors.

NOTE The RT-OS LP must only be used as an output switcher, whereby the input current must not exceed 80 mA.

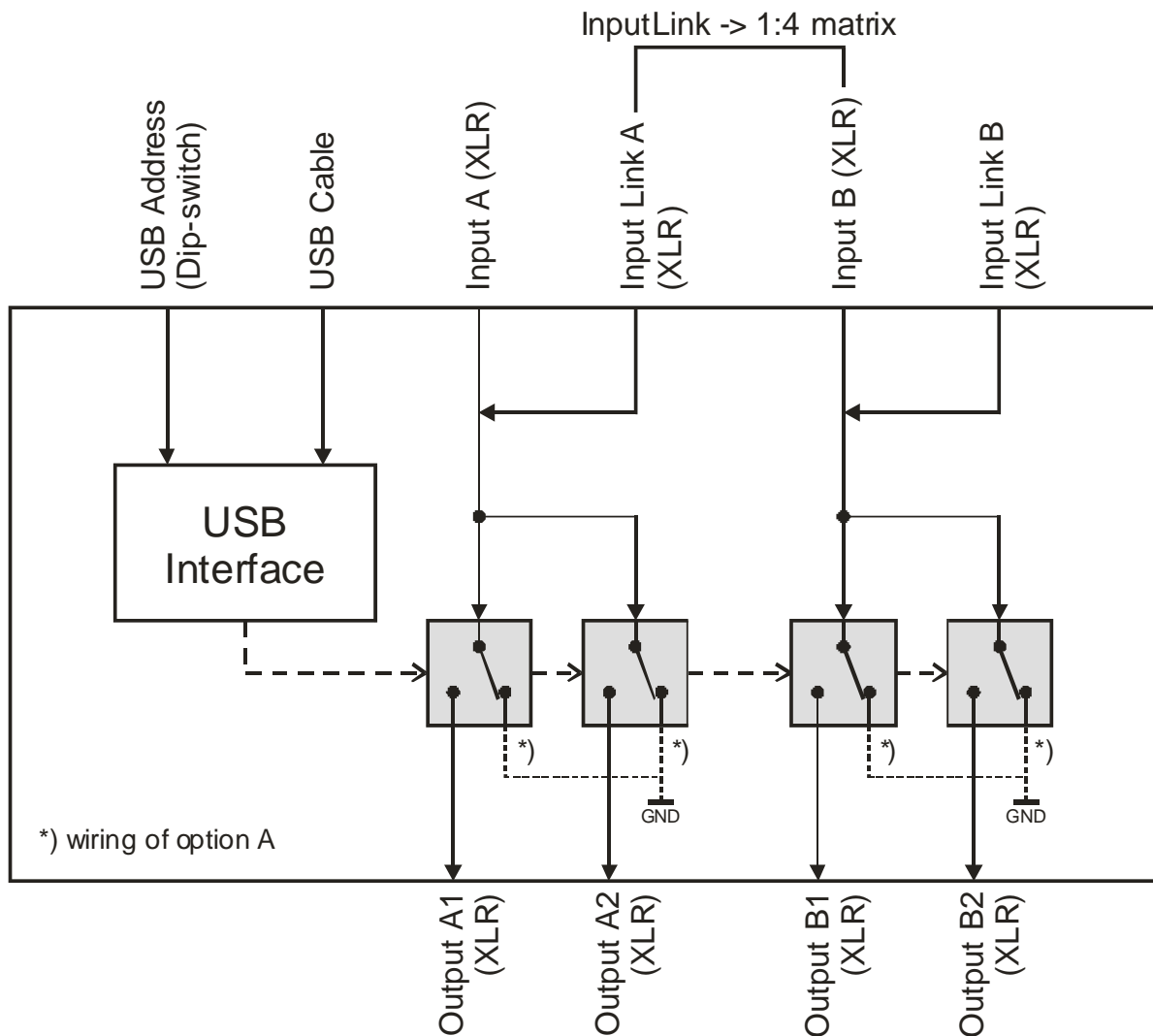


Fig 1 RT-OS LP block diagram

2 INSTALLATION

2.1 Wiring

RT-OS LP is normally used in combination with a PC-software from NTI (i.e. RT-Speaker, RT-ATS or RT-Compliance). The wiring details are shown in the User Manuals of the corresponding packages.

NOTE Operate the RT-OS LP Output Switcher only under control of a PC-software from NTI to avoid damages of peripheral devices or the whole system.

2.2 USB Driver Software

Step 1

Connect the RT-OS LP via an USB cable to the controller PC. As soon as you do this for the first time, the following message appears:

Select the entry “*Install from a list or specific location ...*” and click in “*Next*”.



Fig 2 Installer screen #1

Step 2

Insert the CD-ROM with the control software to your controller PC.

On the second installation panel, select the entry “*Search for the best driver in these locations*”, tick the box “*Search removable media ...*” and click on “*Next*”.

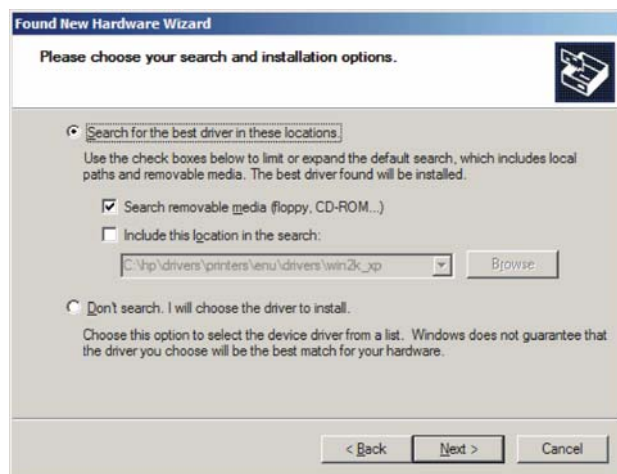


Fig 3 Installer screen #2

Step 3

As soon as the installer has found the USB driver on the CD-ROM, the following message shows up:

Click on “*Next*” to confirm the installation.

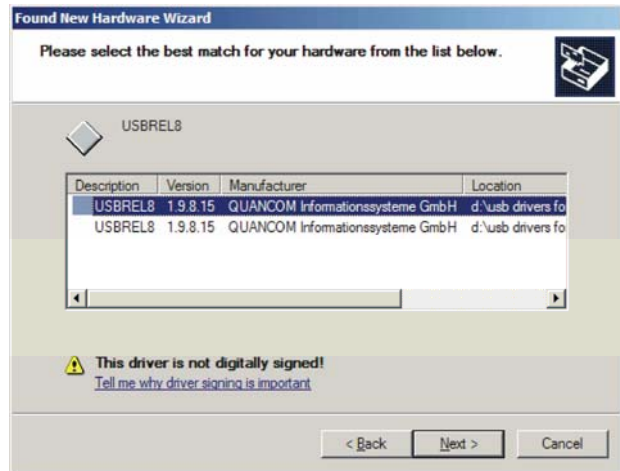


Fig 4 Installer screen #3

Step 4

As soon as the driver has been installed successfully, click on “*Finish*”.



Fig 5 Installer screen #4

2.3 Device Address Selection

The DIP-switch on the RT-OS LP rear panel defines the individual address of the unit. Since the switch can be adjusted in four different states (“0”, “1”, “2” or “3”), it is possible to connect & control up to four RT-OS LP units by one PC.

Example

The DIP-switch settings shown in *Fig 6* represent the device address “1” (= 0*2 + 1*1).

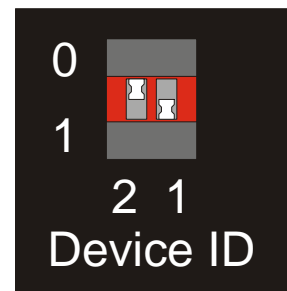


Fig 6 DIP-Switch

3 SPECIFICATIONS

3.1 Accessories

- USB cable (included)
- XLR cable (included)

3.2 Audio Inputs

<i>Connectors:</i>	XLR female
<i>No. of inputs:</i>	2
<i>Max. input voltage:</i>	50 V _{peak}
<i>Max. input current:</i>	80 mA
<i>Bandwidth:</i>	DC to 20 kHz

3.3 Audio Outputs

<i>Connectors:</i>	XLR male (OUTPUT A, B) XLR female (OUT LINK A, B)
<i>No. of outputs:</i>	2+2 (each with a ground lift switch)
<i>Bandwidth:</i>	DC to 20 kHz

3.4 USB Interface

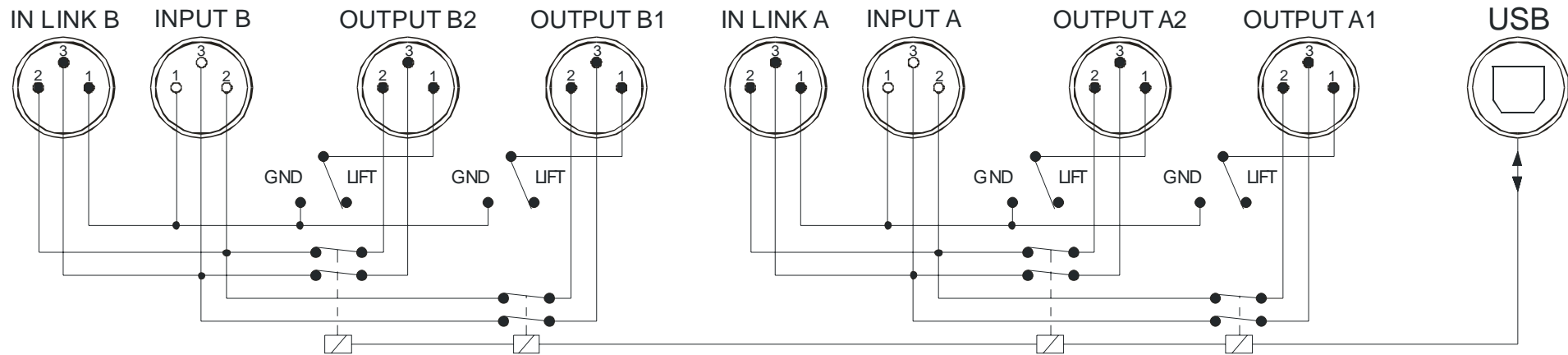
<i>Connector:</i>	USB B type
<i>USB address:</i>	4 addresses (0–3), defined by DIP-switch setting

3.5 General

<i>Switch ON/OFF time:</i>	< 2 ms
<i>Temperature, humidity:</i>	0° to 45° C (40 to 110 F) R.H. < 90% non-condensing
<i>Dimensions:</i>	19" rack device, 1 rack unit high

4 APPENDIX – WIRING OF RT-OS LP

4.1 Standard version (XLR pins 2, 3 of inactive outputs are left open)



4.2 Option A (XLR pins of inactive outputs are shorted)

